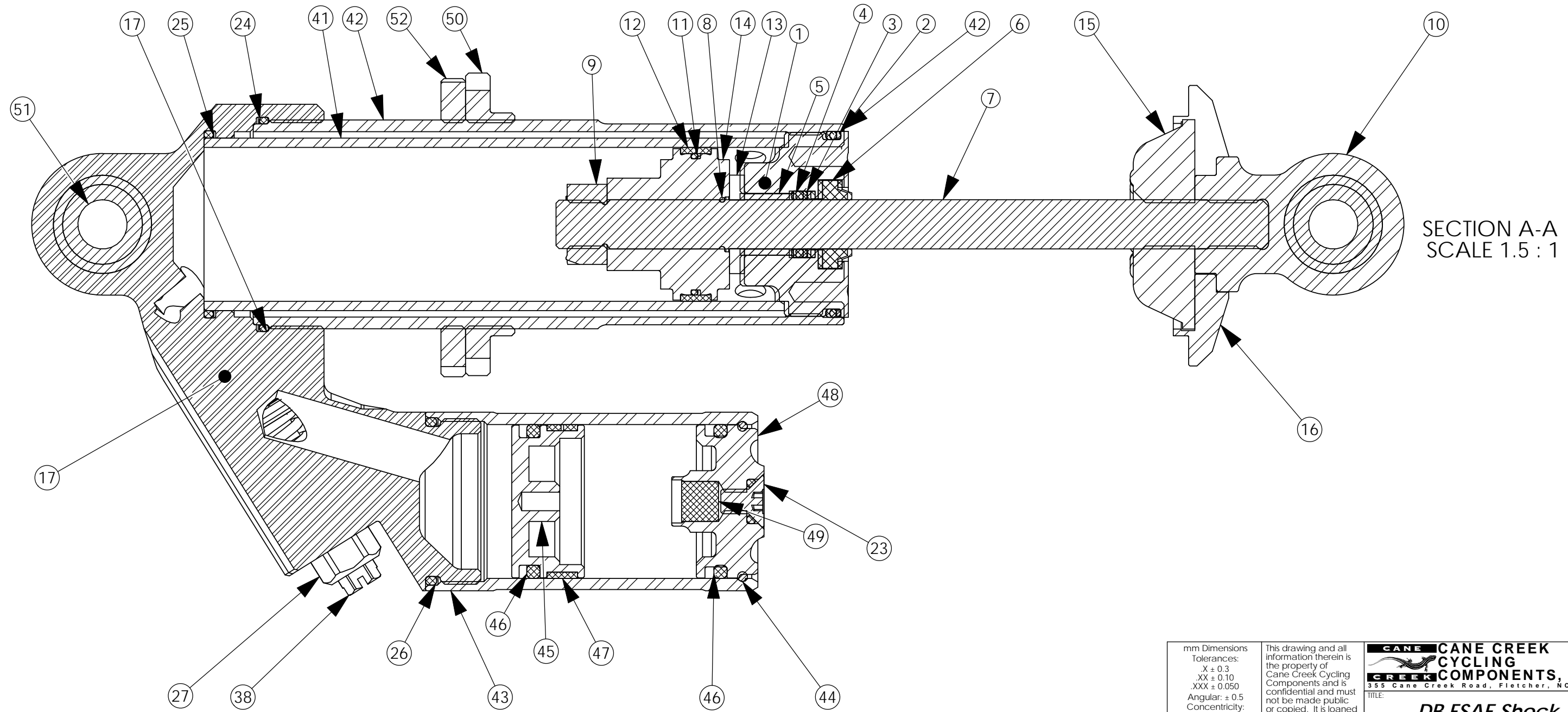
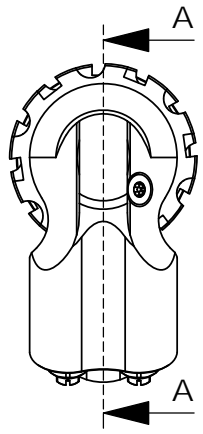
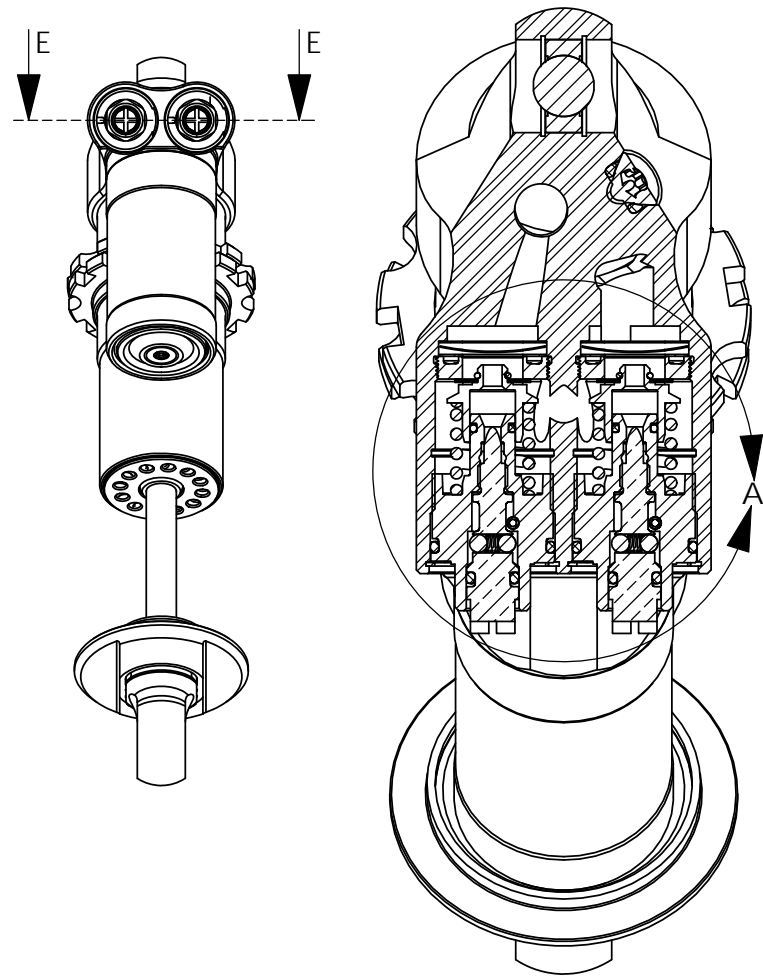


| REV. | DESCRIPTION | ENGR | DATE |
|------|-------------|------|----------|
| A | Release | JPC | 5/8/2009 |

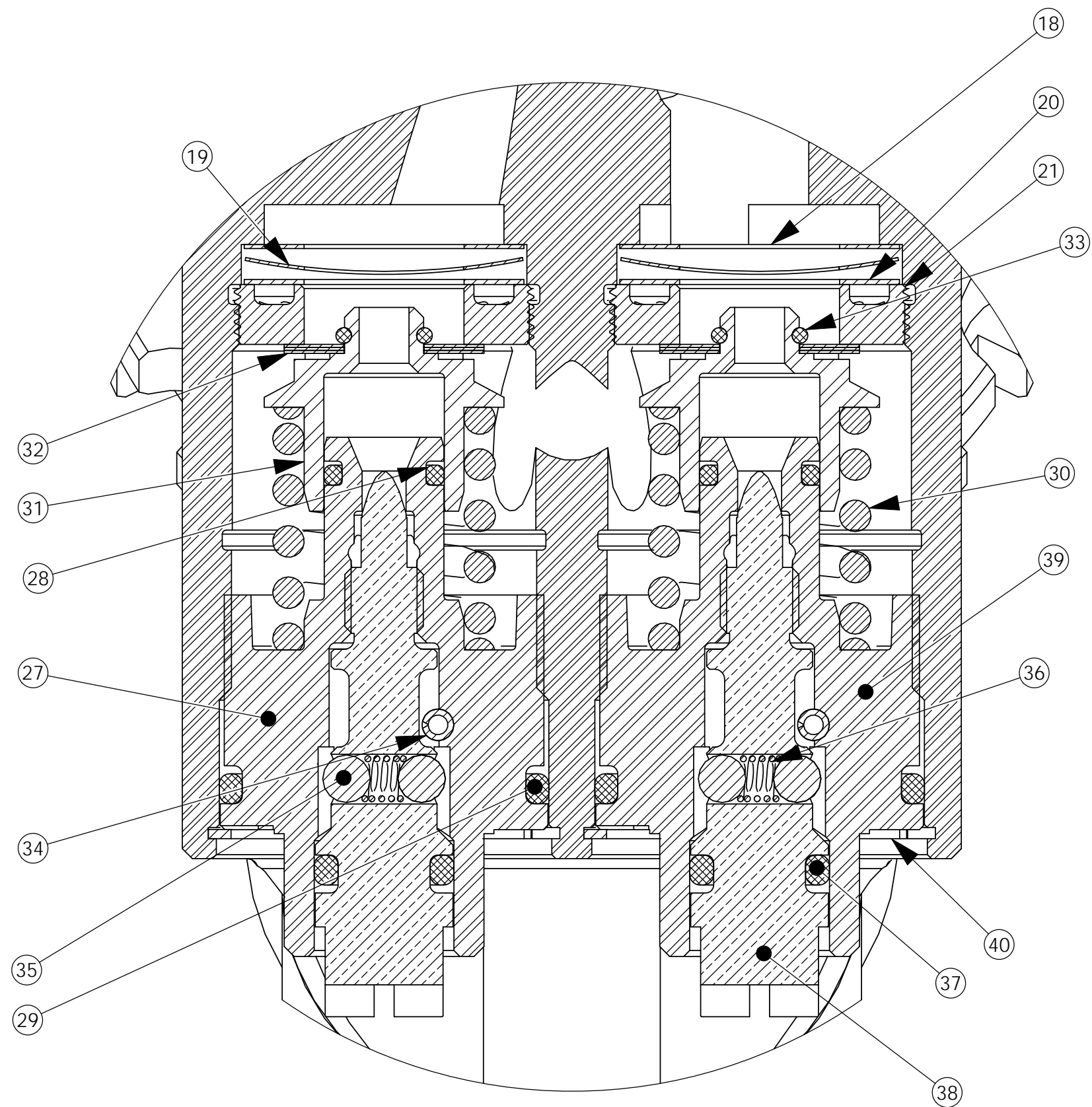


SECTION A-A
SCALE 1.5 : 1

| | | | |
|---|--|--|-----------------|
| mm Dimensions Tolerances: .X ± 0.3 .XX ± 0.10 .XXX ± 0.050 Angular: ± 0.5 Concentricity: N/A Third Angle Projection | This drawing and all information therein is the property of Cane Creek Cycling Components and is confidential and must not be made public or copied. It is loaned subject to return upon demand and is not to be used in any way that is detrimental to our interests. | CANE CREEK CYCLING COMPONENTS, INC. <small>355 Cane Creek Road, Fletcher, NC 28732</small> | |
| | | DB FSAE Shock 2009/2010 - 200/57 | |
| Material: n/a Weight: varies grams Finish: n/a | SIZE B | Part No. DB-FSAE 2009/2010 | REV A |
| Color: | | SCALE: 1:2 | SHEET 1 OF 3 |



SECTION E-E
SCALE 1 : 1



DETAIL A
SCALE 4 : 1

| | | |
|---------------------------|--------------------------|--------------|
| TITLE: | | |
| DB FSAE Shock | | |
| 2009/2010 - 200/57 | | |
| SIZE | Part No. | REV |
| B | DB-FSAE 2009/2010 | A |
| SCALE: 1:2 | | SHEET 2 OF 3 |

| ITEM NO. | PART NUMBER | DESCRIPTION | QTY. |
|----------|------------------------------|---------------------------------------|------|
| 1 | .DB11230S | Seal Head - DB-1 | 2 |
| 2 | .DB11108 (26.7x1.78) | O-Ring - 26.7x1.78-a | 2 |
| 3 | .DB11112 | Back Up Ring - DB-1 | 2 |
| 4 | .DB11111 - 7.65 X 1.78(-011) | Quad Ring - DB-1 | 2 |
| 5 | .DB11160 | Bearing - Shaft, DB-1 | 2 |
| 6 | .DB11114 | Rod Wiper - DB-1 | 2 |
| 7 | .DB161158 | Shaft - DB-1, 115.8mm | 1 |
| 8 | .DB11159 | CirClip - OD 8x0.8-a | 1 |
| 9 | .DB11164 | Lock Nut - M8 | 1 |
| 10 | .DB11248S | End Eye - DB-1, Convertible | 1 |
| 11 | .DB11117 (20.0x1.00) | O-Ring - 20.0x1.00-a | 1 |
| 12 | .DB11113 | Piston Ring | 1 |
| 13 | .DB11266 | DB1 Top Out Bumper | 1 |
| 14 | .DB11243H | Piston - DB-1 | 1 |
| 15 | .DB11123 | Bump Rubber | 1 |
| 16 | .DB11246S | DB1 Spring Clip Version 2.0 | 1 |
| 17 | .DB11245S | Cylinder Head - DB-1 | 1 |
| 18 | Shim-08-T.20-14 | Shim - 8mm ID, T.20-14 | 2 |
| 19 | WaveWasher-Comp0.75 | Washer - Wave, DB-1, 0.75 | 2 |
| 20 | Shim-08-T.25-14 | Shim - 8mm ID, T.25-14 | 2 |
| 21 | .DB11233 | Valve Seat - Suspension | 2 |
| 22 | .DB11102 (4.5x1.50) | O-Ring - 4.5x1.50-b | 2 |
| 23 | .DB11155 | Screw - flat head torx, M4x6mm | 2 |
| 24 | .DB11110 (32.5x1.50) | O-Ring - 32.5x1.50-a | 1 |
| 25 | .DB11109 (28.0x1.50) | O-Ring - 28.0x1.50-a | 1 |
| 26 | .DB11107 (23.52x1.78) | O-Ring - 23.52x1.78-a | 1 |
| 27 | .DB11268G | End Piece - Suspension | 1 |
| 28 | .DB11101 (4.0x1.00) | O-Ring - 4.0x1.00-a | 2 |
| 29 | .DB11105 (13.5x1.50) | O-Ring - 13.5x1.50-a | 2 |
| 30 | .DB11200 | Spring - valve, DB-1, 20-ma | 2 |
| 31 | .DB11228S | Poppet Valve - Suspension | 2 |
| 32 | Shim-04-T.15-10 | Shim - 4mm ID, T.15-10 | 6 |
| 33 | .DB11100 (3.18x0.79) | O-Ring - 3.18x0.79-a | 2 |
| 34 | .DB11157 | Spring Pin - Suspension | 2 |
| 35 | .DB11150 | Ball - Detent | 4 |
| 36 | .DB11151 | Spring - Detent | 2 |
| 37 | .DB11102 (4.5x1.50) | O-Ring - 4.5x1.50-a | 2 |
| 38 | .DB11267 | Adjustment Needle 2_2mm | 2 |
| 39 | .DB11268S | End Piece - Suspension | 1 |
| 40 | .DB11156 | CirClip - flat | 2 |
| 41 | .DB130943H | Cylinder Tube - Inner, DB-1, 94.3 | 1 |
| 42 | .DB140960S | Cylinder Tube - Outer, DB-1, 96mm | 1 |
| 43 | .DB15540G | DRW - Reservoir Tube - DB-1, 54.0mm | 1 |
| 44 | .DB11165 | CirClip - ID 25x1.6 | 1 |
| 45 | .DB11223S | Dividing Piston - Suspension | 1 |
| 46 | .DB11119 (20.29X2.62) | O-Ring - 4.0x1.00 | 2 |
| 47 | .DB11113 | Piston Ring | 1 |
| 48 | .DB11229G | Reservoir End - DB-1 | 1 |
| 49 | .DB11115 | Seal - gas fill | 1 |
| 50 | .DB11246S | Adjustment Nut - DB-1, spring preload | 1 |
| 51 | .DB11161 | Bearing - spherical | 2 |
| 52 | .DB11249S | Lock Nut - DB-1, spring preload | 1 |