



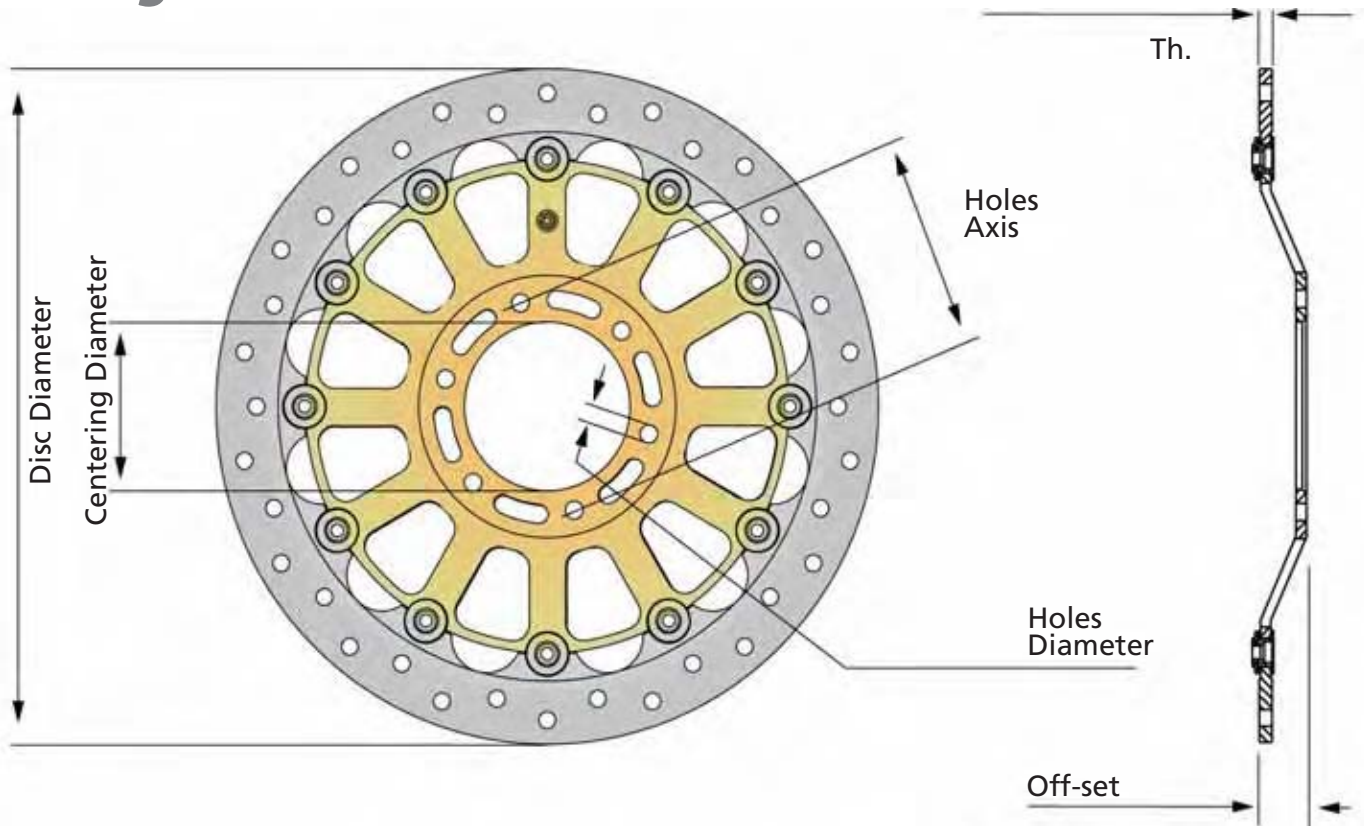
Racing Brake Discs Dimensions Table

Code	Application	Disc Ø	Inner Ø	Holes axis	Holes Ø	Holes n°	Offset mm.	Th. mm.
08670311	A	320	64	80,0	8,5	6	10,5	6
08670321	-	320	80	101,5	8,5	6	10,5	6
08670366	-	320	69	91	10	10	3,4	6
08715030	H	320	72	90,0	8,5	5	10,0	6
08715150	B	320	132	150,0	8,5	5	0,0	6
08755010	C	320	94	110,0	6,5	6	13,0	6
08755011	D	320	80,5	100,0	10,5	5	0,0	6
08755012	E	320	100	120,0	10,5	5	0,0	6
08755013	F	320	72	90,0	8,5	5	15,5	6
08755014	I	320	72	90,0	8,5	5	15,5	6
08715066	G	320	69	91,0	10,2	5	0,0	6
08715202	L	320	94	110	6,25	6	15,75	6
08670343	-	290	58	74	6,25	6	17,	5,5
952000	-	200	==	124,0	9,0	4	0,0	3,5
VENTILATED RACING DISC								
XA0J434/35	-	305	72	90,0	8,5	5	11,5	8
08715034	-	218	69	86,0	8,2	3	12,0	8

48



Racing Brake Discs Dimensions Table



Applications list • Applicazioni

- A > Aprilia RSV / Ducati 748 - 916 - 996 - 998 / Mondial PIEGA
Disc used on different version of these models, please ask
Disco per varie versioni di questi modelli, chiedere per conferma
- B > Yamaha R6 '05 > / R1 '04 >
original disc diameter 310 / 320 mm.
- C > Honda CBR 600RR '05 > / 1000RR '04 >
original disc diameter 310 / 320 mm.
- D > Kawasaki ZX 10R '04 > / ZX 6R '05 / '06 e ZX 6RR '05 >
original disc diameter 300 mm.
- E > Suzuki GSX 600R '06- GSX 750R '06 - GSX 1000R '05 >
original disc diameter 310 mm.
- F > Ducati 749 / 999
(Original replacement / Ricambio originale)
- G > Suzuki GSX 600R '97/'03 - GSX 750R '96/'03 - GSX 1000R '01/'02
original disc diameter 320 mm.
- G > Suzuki GSX 600R '04/'05 - GSX 750R '04/'05 - GSX 1000R '03/'04
original disc diameter 300 mm.
- H > DUCATI 999 RS (SBK clienti)
(Original replacement / Ricambio originale)
- I > MV Agusta F4 750 - F4 1000 - Brutale 750/910
(Original replacement / Ricambio originale)
- L > Honda CBR 1000RR '08
(Original replacement / Ricambio originale)



Spacer Kits for Original Disc Diameter Kit Distanziali per Diametri Dischi Originali

Model	Cod. disco	Ø disco OEM	Per pinze 220A01610		Per pinze 220A39710	
			Spacers Code	H.	Spacers Code	H.
HONDA						
CBR 600 RR '05 / '08	208973713	310	105998709	-	NON MONTA	-
CBR 1000 RR '04 / '05	208973713	310	105998709	-	NON MONTA	-
CBR 1000 RR '06 / '07	208973712	320	105998709	-	105998709 (senza dist. orig.)	-
CBR 1000 RR '08	208973731	320	105998709	-	105998709 (senza dist. orig.)	-
KAWASAKI						
ZX 6R '05 / '08	208973714	300	220A02411	5 mm	105998709	-
ZX 10R '04 / '07	208973714	300	220A02411	5 mm	105998709	-
ZX 10R '08	208973734	300	220A06127	13 mm	220A06117	8 mm
SUZUKI						
GSX R 600/750 '04 / '05	208973716	300	220A02411	5 mm	105998709	-
GSX R 600/750 '06 / '07	208973717	310	220A06127	13 mm	220A06117	8 mm
GSX R 600/750 '08	208973732	310	TBD		TBD	
GSX R 1000 '03 / '04	208973716	300	220A02411	5 mm	105998709	-
GSX R 1000 '05 / '07	208973717	310	220A06127	13 mm	220A06117	8 mm
GSX R 1000 '08	208973717	310	TBD		TBD	
HAYABUSA '08	TBD	310	TBD		TBD	
YAMAHA						
YZF R6 '05 / '08	208973720	310	220A06125	12 mm	220A06115	7 mm
YZF R1 '04 / '06	208973721	320	220A06125	12 mm	220A06115	7 mm

50

Spacer Kits for Upgrade Disc Kit Distanziali per Dischi Maggiorati

Model	Cod. disco	Ø disco OEM	Per pinze 220A01610		Per pinze 220A39710	
			Spacers Code	H.	Spacers Code	H.
HONDA						
CBR 600 RR '05 / '08	208973712	320	220A02411	5 mm	105998709	-
CBR 1000 RR '04 / '05	208973712	320	220A02411	5 mm	105998709	-
KAWASAKI						
ZX 6R '05 / '08	208973722	320	220A02431	15 mm	220A02421	10 mm
ZX 10R '04 / '07	208973722	320	220A02431	15 mm	220A02421	10 mm
ZX 10R '08	208973722	320	220A02437	18 mm	220A06177	13 mm
SUZUKI						
GSX R 600/750 '06 / '07	208973726	320	220A06137	18 mm	220A06177	13 mm
GSX R 600/750 '08	208973733	320	TBD		TBD	
GSX R 1000 '05 / '07	208973726	320	220A06137	18 mm	220A06177	13 mm
GSX R 1000 '08	208973726	320	TBD		TBD	
HAYABUSA '08	TBD	320	TBD		TBD	
YAMAHA						
YZF R6 '05 / '08	208973721	320	220A06135	17 mm	220A06175	12 mm